

PARTS AND ACCESSORIES

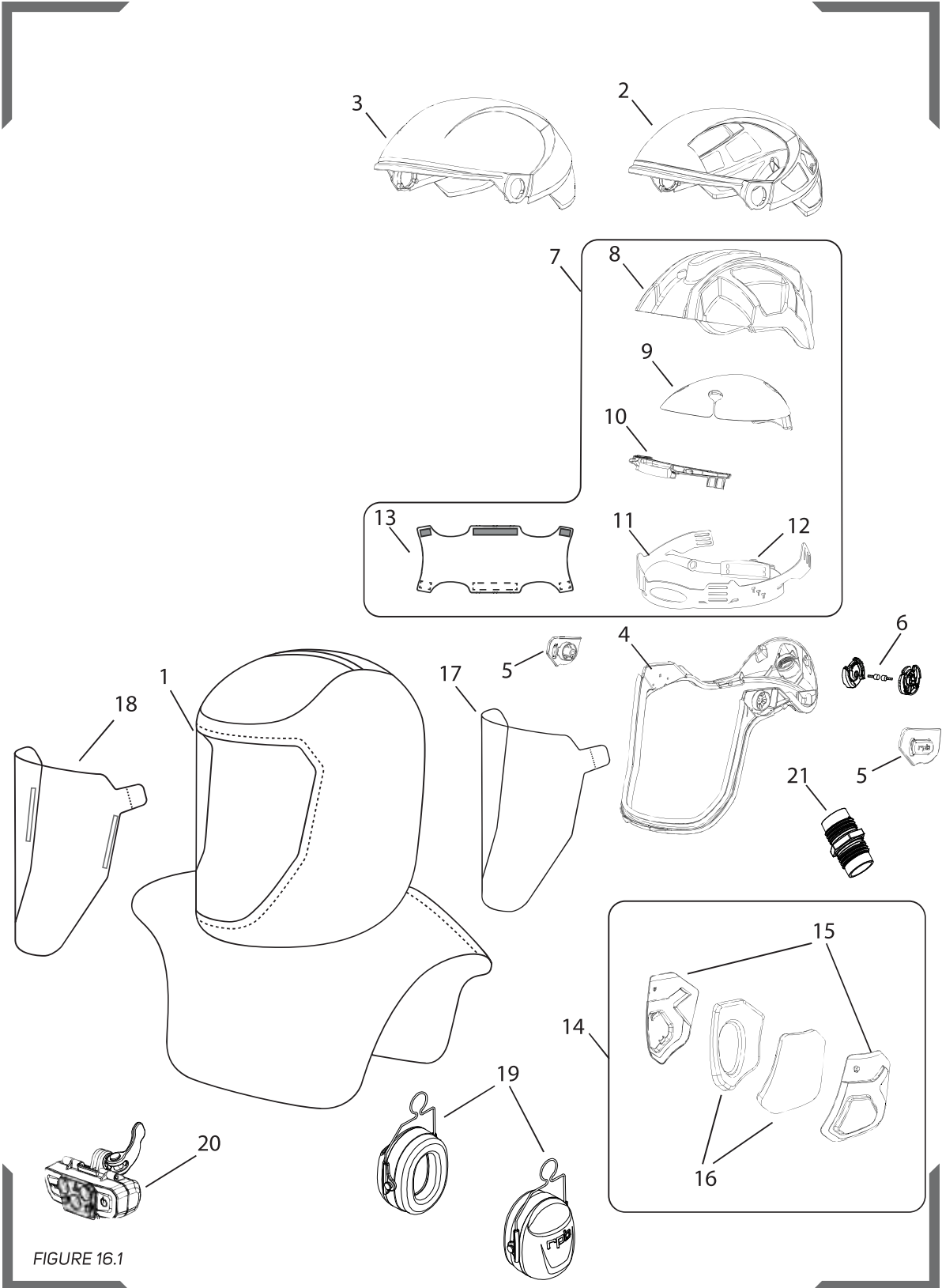


FIGURE 16.1

PARTS LIST

Item Number	Description	Part Number
1	T-LINK® Tychem® 4000 - Sealed Seams	17-713
	T-LINK® Tychem® 4000 - Sealed Seams, Safety Lens	17-713-S
	T-LINK® Tychem® 4000 - Sealed Seams, Safety Lens, Extra Long	17-713-SX
	T-LINK® Zytex® - Safety Lens	17-711
2	T-LINK® Lightweight Helmet Shell	17-511
3	Hard Hat Helmet Shell	16-511
4	Jaw	16-514
5	Lens Clips (Left and Right Pair)	17-512
6	Mounting Brackets with screws	16-516
7	Comfort-Link™ (16-521, 522, 524, 525, 530, 531)	16-520-T
8	Impact Absorber	16-521
9	Comfort Pad	16-522
10	Head Harness Bracket and Air Director	16-525
11	Head Harness	16-531
12	Ratchet Adjuster Assembly	16-530
13	Head Harness Brow Pad	16-526
14	Side Padding System	16-520-S
15	Side Padding Frames	16-527
16	Foam Side Pads	16-528
17	T-LINK® Clear-Vision Casette Lens (1 cassette of 7 lenses)	17-817
18	T-LINK® Peel-Off Lenses (Pack of 50)	17-815
19	QUIET-LINK™ Helmet Earmuffs	18-533
20	VISION-LINK™ Light	16-901
21	Breathing Tube Adapter	16-519



WARNING

Use only exact, authentic RPB® replacement parts (marked with the RPB® logo and part number), and only in the specified configuration. Using incomplete or inappropriate equipment, including the use of counterfeit or non-RPB® parts, can result in inadequate protection and will void the approval of the entire respirator assembly.

PAPR PARTS AND ACCESSORIES

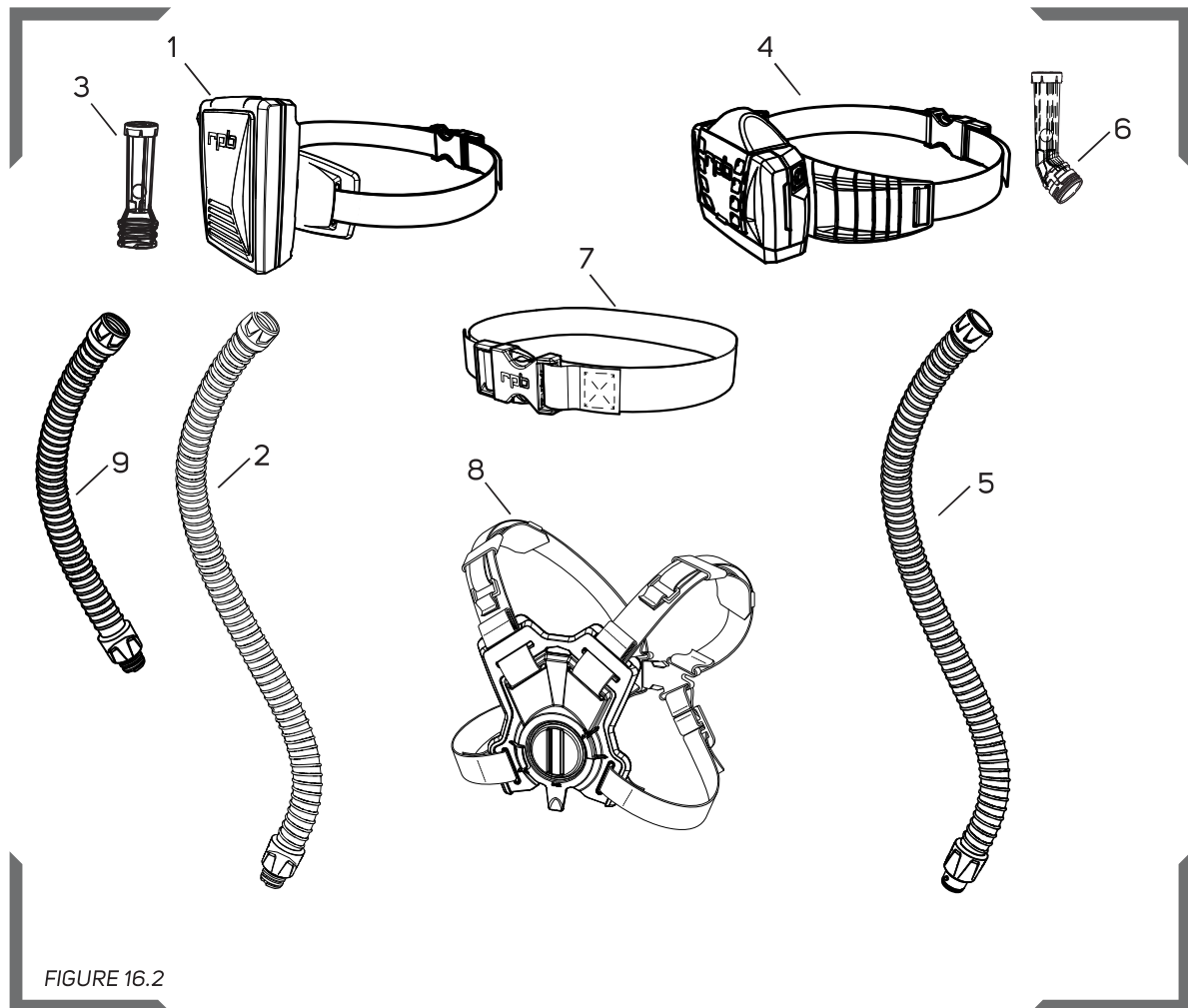
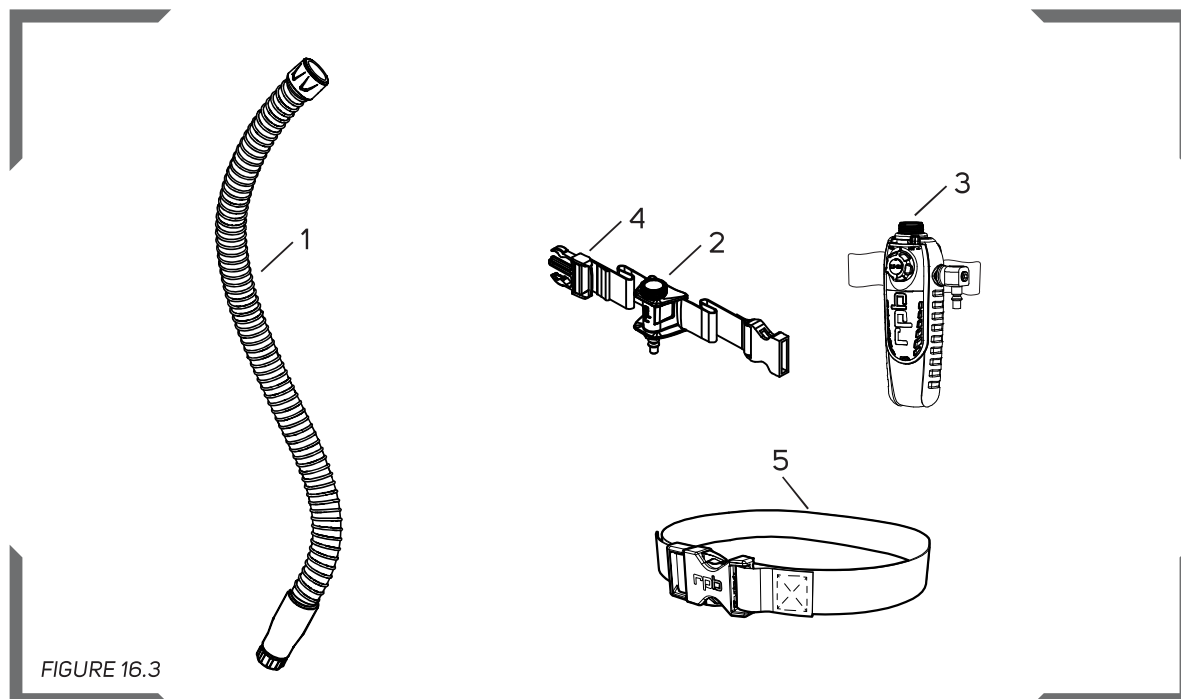


FIGURE 16.2

Item Number	Description	Part Number
1	PX5® PAPR and Belt	03-801
2	Breathing Tube for PX5® PAPR	04-831
3	Flow Meter PX5® PAPR	03-819
4	PX4 AIR® PAPR and Belt	03-901
5	Breathing Tube for PX4 AIR® PAPR	04-837
6	Flow Meter PX4 AIR®	04-091
7	2" Belt for PX4® and PX5®	07-765
	2" Belt for PX4® and PX5® - Fire Retardant	07-765-FR
	2" Belt for PX4® and PX5® - Easy Clean	07-765-DC
8	Backpack Harness - Fire Retardant	03-822-FR
	Backpack Harness - Easy Clean	03-822-DC
9	Breathing Tube for Backpack	04-841

FLOW CONTROL DEVICES



Item Number	Description	Part Number
1	Breathing Tube for Supplied Air	04-833
2	Constant Flow Valve Assembly and Belt	03-102
3	C40™ Climate Control Assembly and Belt	03-502
4	Belt for Constant Flow Valve	NV2022
5	2" Belt for C40™	07-765
	2" Belt for C40™ - Fire Retardant	07-765-FR
	2" Belt for C40™ - Easy Clean	07-765-DC